



These are suitable for conductive liquids like water and for non-conductive liquids like Diesel/Oil. Models for either one level monitoring or two level monitoring.



MODELS

**WLC D1, Electrodes,
P1 LCW1, D2 WLC1,
S2 WLC1, S2 ALT1,
DLC D1 + FRK P6,
FRK P5**

FEATURES

- Can be used for potable water, water with impurities and for diesel/oil
- Cable size & length no restriction for water level monitoring
- Suitable for variety of electrodes
- Optical sensing for diesel/oil level monitoring
- Open collector output (for FRKP5)
- Choice of enclosures (DIN-Rail, & Plug-in)
- Use of SMD Technology (S2 Series models)

FUNCTIONS

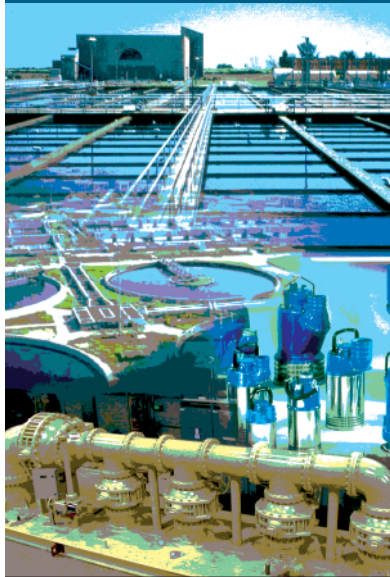
- Level monitoring of conductive and non-conductive liquids
- One level or two level monitoring
- One tank or two tank level monitoring

Ordering Instructions

- Product Family Name
- Model Name
- System Supply Voltage
- Aux. Supply/Control supply voltage
- Type of liquid & its specifications

LEVEL CONTROLLERS - CONDUCTIVE LIQUIDS

WLC D1 Water Level Control Relay Two Level Single Tank	P1 LCW1 Water Level Control Relay Two Level Single Tank
--	---



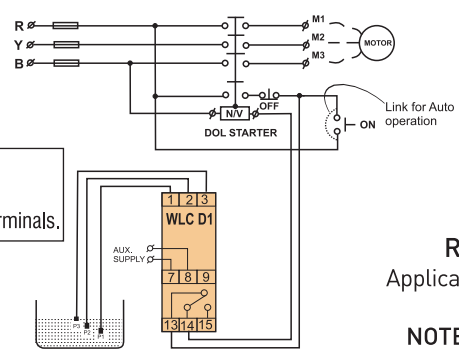
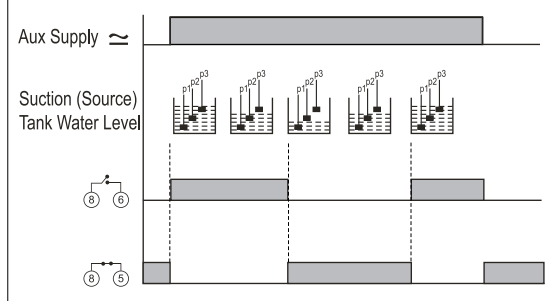
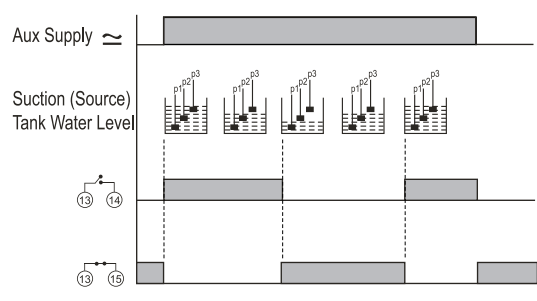
Single tank - 2 level control relay, suitable for conductive liquids, sensitivity adjustment, 1CO output relay.
Also can be used as moisture control relay.



Single tank - 2 level control relay, suitable for conductive liquids, 1CO output relay

Note: Mention specific voltage (Fixed/wide range) in order Auxiliary Supply Output Contacts Input Sensors Sensitivity Trip Time Delay Weight Unit Sensor (each) Dimensions (mm) Unit Overall (L x W x D) Mounting (L x W) Sensor (mm) Overall	24 VAC/DC/100-120/220-240/380-440 V AC \pm 10%, 50 / 60 Hz 1 CO 3 Electrodes 1K - 200 K (adjustable) Less than 1 sec 300 gms. 50 gms. 76 x 30.5 x 117.5 68 mm centre to centre / 35 mm rail mounting 24 (Dia) x 76 (L)	24 / 110 / 240 / 380 / 415 V AC \pm 10%, 50 / 60 Hz, 12 / 24 V DC 1 CO 3 Electrodes N.A. Less than 1 sec 125 gms 50 gms 50 x 40 x 80 8 - pin plug-in 24 (Dia) x 76 (L)
--	---	---

Wherever not specified Contact Rating :
5A @ 230 V AC (resistive)

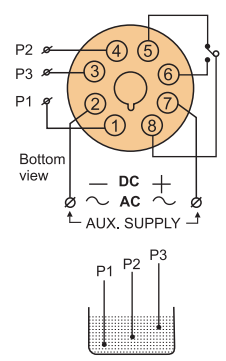


Moisture control relay connection:

- Short 1 & 3 terminals.
- Connect sensor wires at 1 & 2 terminals.

Relay contact
Applicable for suction Tank

NOTE : For 2 Tank new D2 WLC1 Model is available



S2 WLC1

Water Level Control Relay Two Level Single Tank



Single tank 2 level control relay, Sensitivity adjustment, suitable for conductive liquids, 1CO output relay

24 V AC / DC / 110 / 240 V AC ± 10%
 1 CO
 3 Electrodes
 1 K To 200 K (adjustable)
 Less than 1 sec. (Fixed)

200 gms.
 50 gms.

90 x 35 x 60
 35 MM Rail Mounting

24 (Dia) x 76 (L)

S2 ALT1

Alternating Relay



This is a simple 'Step Relay' to achieve alternating duty of two pumps or compressors. Operation of two pumps or compressors is achieved in alternating sequence as per either pressure switch or level control or thermostat contacts.

Aux Supply 110/115/220/230/240/380/415 V AC

24 V AC/DC ± 15 %

Frequency 50 Hz / 60 Hz ± 3%

Power Consumption 5 VA max.

Output Relay Contact 2 NO

Indication

ON Power ON (Green)

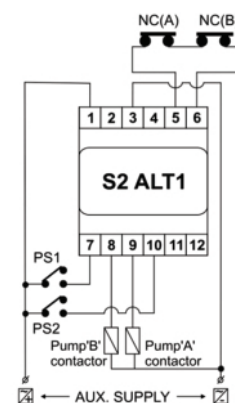
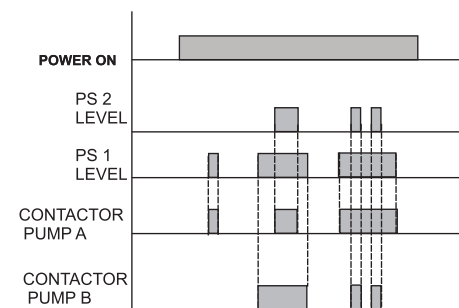
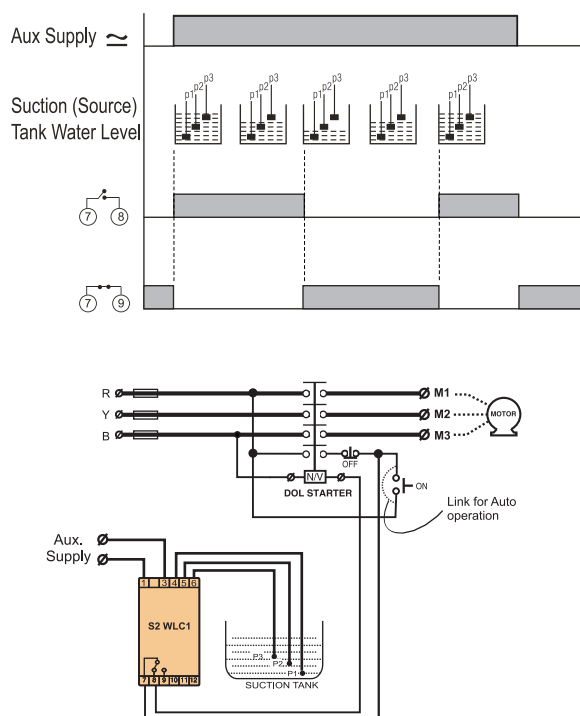
RLY Relay ON (Red)

Operations 30 Operation/Min. (max.)

Dimensions (H x W x D) 90 x 35 x 60mm

Mounting 35 MM Rail Mounting

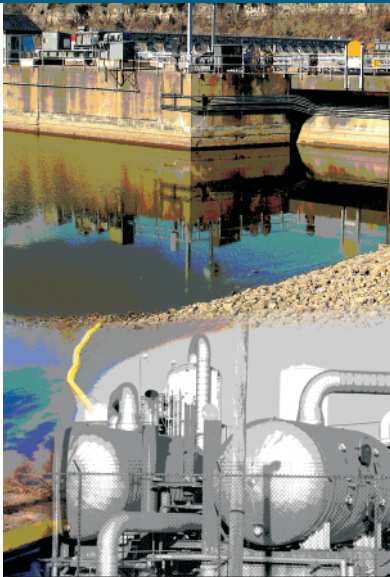
Weight 250 gms. (approx.)



Relay position as per suction logic selection

LEVEL CONTROLLERS - NONCONDUCTIVE LIQUIDS

DLC D1 + FRK P6 Diesel Level Control Relay Single Level



One level switch for diesel/oil,
optical sensing principle,
1 CO output relay

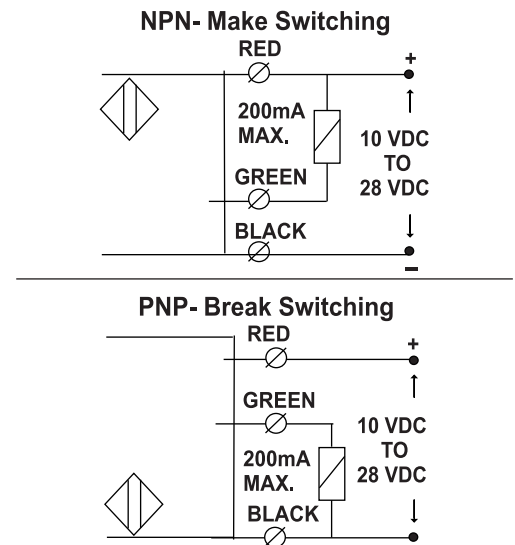
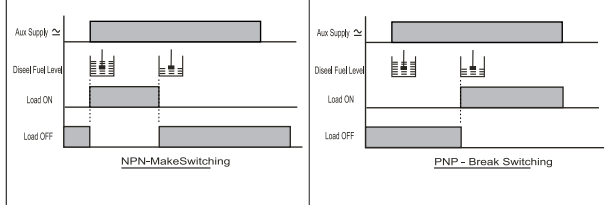
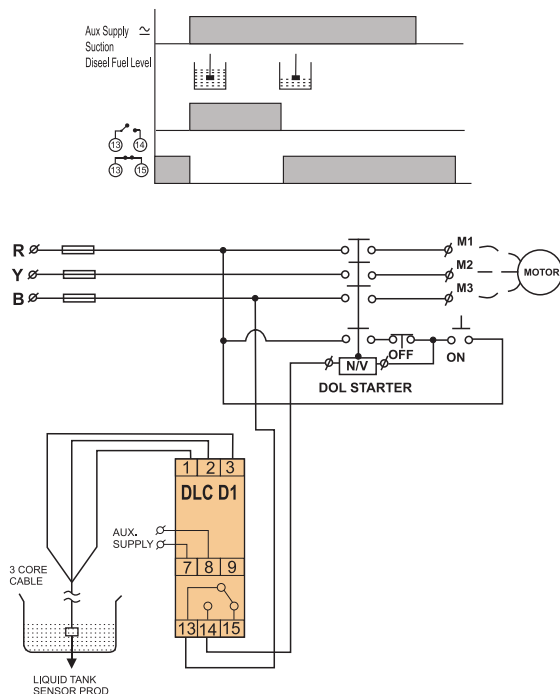
FRK P5 Diesel Level Sensor Switch Single Level



Either high level or low level
switch (selectable),
open collector output
Output suitable as input to PLC
or Controller

Note: Mention specific voltage
(Fixed/wide range) in order

Auxiliary Supply	100-120/220-240/380-440 V AC / 24 V DC / AC, 12 V DC $\pm 10\%$	10-28 V DC $\pm 10\%$
Output Contacts	1 CO	Open Collector 200 mA @ 24 V DC
Input Sensors	1 (FRK P1)	Built-in sensor
Sensitivity	N. A.	N. A.
Trip Time Delay	Less than 5 sec	Less than 1 sec
Weight		
Unit	300 gms.	—
Sensor (each)	100 gms.	100 gms
Dimensions (mm)		
Unit		
Overall (L x W x D)	76 x 30.5 x 117.5	—
Mounting (L x W)	68 mm centre to centre / 35 mm rail mounting	—
Sensor (mm)		
Overall	M30 (Dia) X 75 (L)	M30 (Dia) X 75 (L)



Relay position as per logic selection